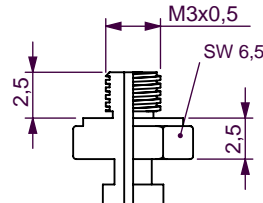
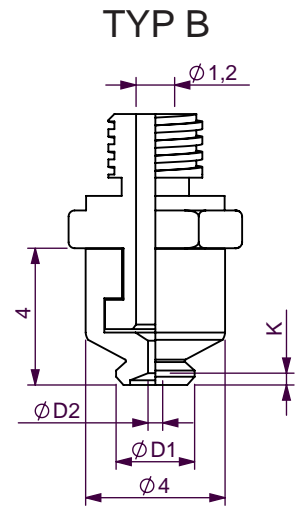



Standard-Fitting



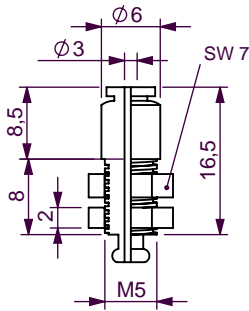
Art. 130.523

1g



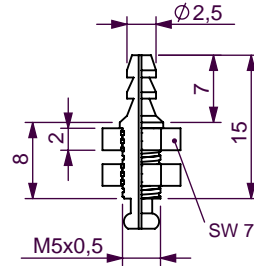
TYP	Art.	Ø D1	Ø D2	K		Material	Verpackungseinheit Packaging unit
A	10.001.631._	0.7	0.2	0.4	1g	NBR (schwarz)	10 Stück 10 pieces
A	10.001.632._	1	0.4	0.4	1g	Silikon (transparent)	
A	10.002.633._	1.5	0.7	0.4	1g	Silikon antistatisch (schwarz)	
B	10.002.634._	2	0.6	0.2	1g	Nitrile rubber (black)	
B	10.003.635._	3	0.8	0.4	1g	Silicone (transparent)	
B	10.004.636._	4	1.2	0.6	1g	Silicone antistatic (black)	

Abmessungen in mm / Dimensions in mm • Material Fitting: Messing vernickelt / Brass nickel-plated



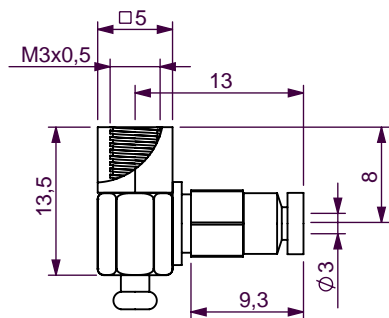
Art. 133.000  2g

Schlauch: Ø 3x2 UBT0320 Polyurethan
Hose: Ø 3x2 UBT0320 Polyurethane



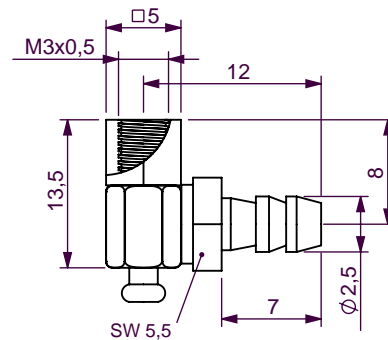
Art. 133.002  1,5g

Schlauch: Ø 4x2.5 UBT0425 Polyurethan
Hose: Ø 4x2.5 UBT0425 Polyurethane



Art. 133.001  2g

Schlauch: Ø 3x2 UBT0320 Polyurethan
Hose: Ø 3x2 UBT0320 Polyurethane



Art. 133.003  1,5g

Schlauch: Ø 4x2.5 UBT0425 Polyurethan
Hose: Ø 4x2.5 UBT0425 Polyurethane